



Safe T Bar Inc. - Tubrail Specialty Grab Bar

USA Manufactured and Packaged in Minnesota. STB grab bar products - Exceed ADA, ANSI and Federal Codes.



Material used in manufacturing the grab bar products is 304 stainless steel 18-8 chromium nickel. Tubing 18 gauge 1 1/2" OD, wall clearance is 1 1/2", include 304 stainless steel screws and individually boxed. Standard flange washer mountings are Exposed Mount, however Snap Mount Conceal and Anti Bacteria Safe T Ring Conceal are also available. All flange washer are 3" OD (outside diameter). See Mounting options for additional detail/specifications.

Tubing extends through the flange washer and is full fusion Tig (heliarc fused [Stronger] - not wire feed or filler) and welded to Military standards to form a single unit. The recessed (bossed); flanged washer keeps the weld away from installation to allow the grab bar to lay flat against the mounting surface. Flange Washer Mounting holes are true to ± 1/8".

Safe T Bar GRIP TIGHT™ NON- SLIP surface - ASSURANCE OF POSITIVE GRIPPING – It Grips you!

Safe T Bar Inc. features the exclusive “GRIP-TIGHT™” surface and is our standard finish. Grip Tight™ is permanently etched in the stainless steel bar, it's not an added material, effective against slipping when the user’s hands are wet and soapy. Grip Tights™ color originates from the mechanical process to the 304 stainless steel, the surface is easy to clean, will not peel or create bacteria.

Custom sizes and finishes; Custom Bar is any alterations to our standard sizes, finishes and types of grab bars.

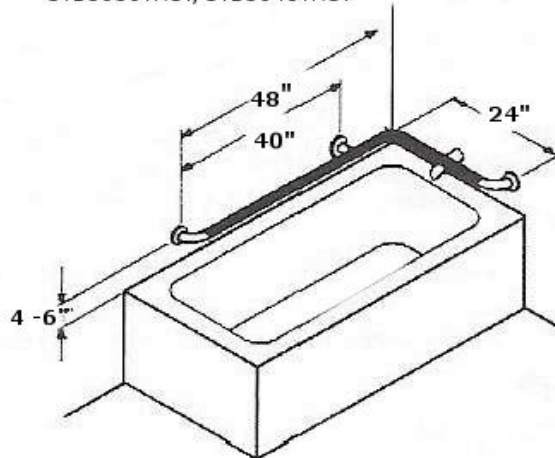
Inquire by Contacting Safe T Bar Inc. 1 - 800 -444 - 8855

Tubrail style Grab Bar offers a continuous grab bar which is horizontal. With two 90° bent knuckles back to the wall and a third 90° bend to offer a continuous grab bar. Tubrail is installed on two walls with a support leg located on the longer side 8" on center from the overall on center measurement. Common use is in a Shower or Tub location. Standard lengths; 24" x 48", 36" x 36", 36" x 48", Grip Tight™ finish, include stainless steel fasteners and individually boxed.

Item #	
STB2448TRGT	Exp Mount
STB2448TRGTC	ABSTR Conceal
STB2448TRGTSM	Snap Mount Conceal
STB3636TRGT	Exp Mount
STB3636TRGTC	ABSTR Conceal
STB3636TRGTSM	Snap Mount Conceal
STB3648TRGT	Exp Mount
STB3648TRGTC	ABSTR Conceal
STB3648TRGTSM	Snap Mount Conceal

STB Tubrail Grab Bar

STB2448TRGT (Shown)
STB3636TRGT, STB3648TRGT



Safe T Bar Grab Bar products are rigorously inspected to ensure safety and quality of our products. Each Grab Bar product is individually handled and inspected a minimum of 14 point step inspections.

Thank you for the opportunity of providing you with Safe T Bar Inc. products, improving independence and safety.