



Safe T Bar Inc. Anti Bacteria Safe T Ring Conceal Mount Washer

Material used in construction of all Safe T Bar's is type 304 Stainless steel 18-8 chromium nickel, non-magnetic stainless steel, 12-gauge washer, 3" OD. USA manufactured, packaged and Exceed codes.

A--- 3" recessed, flanged washer with three countersunk mounting holes per washer.

B--- 12-gauge .109 flange washer thickness.

C---GRIP-TIGHT™, Safe T Bar, Inc. exclusive non-slip surface.

D--- 18 gauge .049 with hand polished satin finished ends, not mill finish.

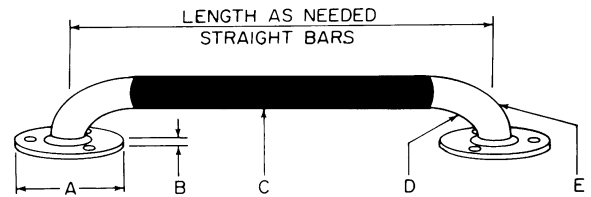
E--- Tubing size 1-1/2" O.D. diameter, .049 wall thickness

Right Drawing – A (Exposed Mount Screw Hole placement ±1/8;

OC (on center marks of tube to end of washer [flange]) 1 1/2"

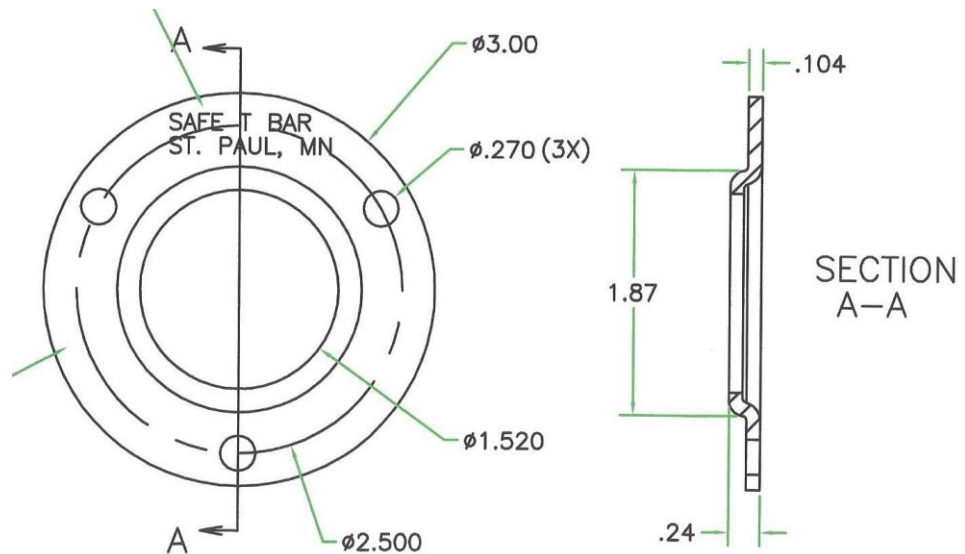
Back two screw hole placement is ± 7/8" from end of flange to OC of screw hole; and ± 3/4" from OC of tube.

Front single screw hole placement is ± 1/4" from end of flange to OC of screw hole; and ± 1 1/4" from OC of tube.



Tubing extends through the flange washer and is full fusion Tig (heliarc fused [Stronger] – not wire feed or filler) and welded to Military standards to form a single unit. The recessed (bossed); flanged washer keeps the weld away from installation to allow the grab bar to lay flat against the mounting surface. Mounting holes are true to ± 1/8".

Safe T Bars with Exposed Mountings, include 304 stainless steel screws for standard mounting at no extra charge have 1-1/2" wall clearance and are individually boxed and inspected for quality. **Safety, Quality Products that won't let you down. Grip Tight™**



Once grab bar is mounted. **Clean application surface (top of washer flange). Surface need to be clean from dirt, natural oil and or any other applicable oil and dirt.** Clean surface allows a proper adhesive bond between the washer and the Safe T Ring™ concealment mount. Now install your Anti Bacteria Safe T Ring™ concealment, for a flawless finish.

See pdf download for detailed installation of the Anti Bacteria Safe T Ring™ concealment; STB Safe T Ring Conceal Detail.

Questions? Need CAD drawings? Please contact us at 800 – 444 – 8855 or email us at info@safetbar.com

Grab Bar industry standards of measurements for grab bars are OC (on center) of tube. Standard measurements are not designed for screw holes to match stud placement. This can make installing grab bars in existing structures difficult, however contact us for additional information to help you find the right grab bar size and finish.

Safe T Bar, Inc. grab bars exceed all ADA (American Disability Act) ANSI and federal code requirements.

Safe T Bar Inc. Grab Bars - Safety, Quality Products that won't let you down. Grip Tight™ Non-Slip.