

Safe T Bar Inc. Example Drawings for Installation:

Maximum safety depends on both a high quality grab bar and the appropriate backing to suite specific wall condition. In-wall backing is required for all grab bar installation. Effectiveness for safety accessory depends on secure installation.

Safe T Bar, Inc. grab bars exceed all ADA (American Disability Act), ANSI and federal agencies' requirements codes. (Building codes may vary state to state, please check with your local building codes for Commercial installation.)

We will custom manufacture safety bars to meet special requirements, upon request.

1. The safety grab bars indicated by dotted lines are recommended for best assistance, but are not required. Figures 2 & 7
2. Figures 1 & 3 shown are for lateral transfers where open toilet rooms exist.
3. Toilet room stalls must have front of water closet and have 36" between partitions. Door width minimum is 32" wide.

Fig. 1

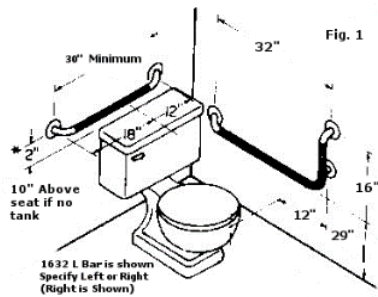


Fig. 2

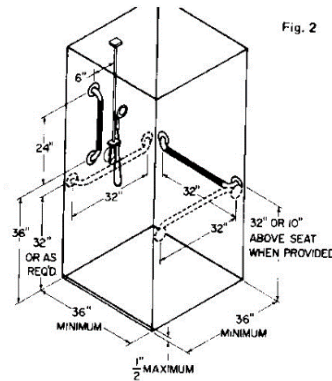


Fig. 3

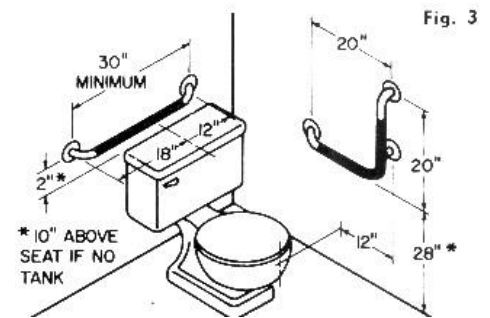


Fig. 4

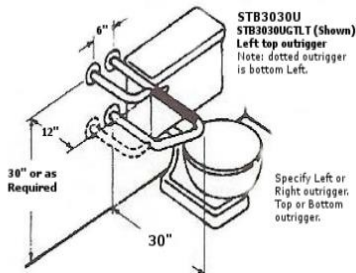


Fig. 5

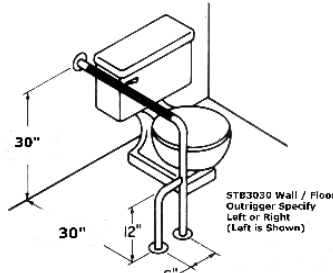


Fig. 6

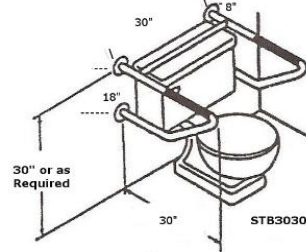


Fig. 7

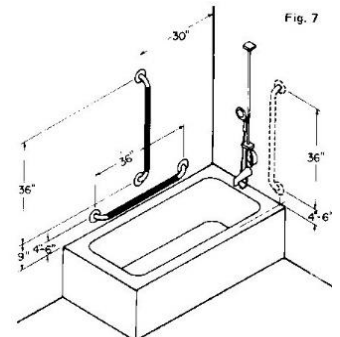


Fig. 8

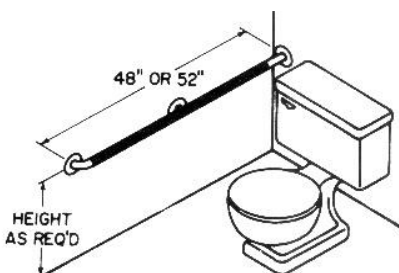


Fig. 9

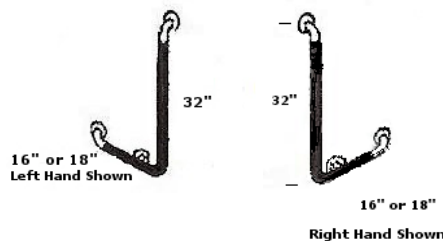


Fig. 10



Note: All measurements are on Center of tube, unless otherwise noted.

Questions? Please contact us at 1 - 800 - 444 - 8855. We look forward to working with you!

Safe T Bar Inc. Grab Bar Products that won't let you down. Grip Tight™ non slip - It Grips you!